

Link Multiple AES-IntelliNet Networks

AES-MultiNet System

Technical Specifications

DIMENSIONS

19 in W x 3.5 in H
(48 cm W x 8.8 cm H)
(2U) x 12.24 in (31.1 cm), 13.25 in
(33.7 cm) including rack handles

APPROXIMATE RECEIVER WEIGHT

8.2 lb, 3.7 kg

STANDARD FREQUENCY RANGES

UHF 450-470 MHz
VHF 146-174 MHz

STANDARD OUTPUT POWER

2 Watts

OPERATING VOLTAGE

110/220 VAC, 50/60 Hz

OPERATING TEMPERATURE RANGE

0° to 50° C (32° to 122° F)

STORAGE TEMPERATURE RANGE

-10° to 60° C (14° to 140° F)

UL LISTINGS

UL 864 - Edition 9
UL 2050
UL 1610
UL 365

NFPA-72 COMPLIANT



The AES-MultiNet System consists of (2) 7705i Receivers and (2) 7170 IP Links

The AES-MultiNet system is a UL Listed and NFPA-72 compliant advanced wireless-to-Internet receiver designed to support multiple AES-IntelliNet wireless mesh networks, from one Central Monitoring Station.

AES-MultiNet 2362 Release available now!

AES is offering a new software release to authorized AES Dealers currently enrolled in our Maintenance Program. Packed with many new features and enhancements you've been asking for! Contact AES Technical Support to schedule your upgrade at (866) 237-3693 or support@aes-corp.com

Features

- Automatic Database Backup between Primary Receiver and additional Receivers
- Display rogue or malformed IP Link packets on Admin GUI
- New tools for easier re-configuration of your Receivers by AES Technical Support
- Connect Multiple AES-IntelliNet Radio Networks to Central Monitoring Facilities
- Increase Capacity of Existing AES-IntelliNet Networks
- Control Communications Network from Central Station
- Wireless Alarm Communications Network Replaces Telephone Lines for Fire and Burglary Monitoring

Enhancements

- Handle multiple Pulse 4+2 messages that arrive in a single RF packet
- Allow non-standard CID messages to pass to the Automation
- Record all Check-Ins even when the Automatic Test Supervision is enabled
- Option to disable the reporting of Subscriber Check-In Failures
- Improved subscriber Tx-on/off functionality
- Improved handling of malicious packets

HOW TO ORDER

Model	Description
7705i(UL)	With integrated Linux server
7170-EM(UL)	Collects AES-IntelliNet wireless signals and converts them to TCP/IP packets for transmission to the 7705i Receiver
Logging Printer	With vapor paper capabilities

About AES Corporation

Established in 1974, AES Corporation empowers companies to grow profitable alarm monitoring businesses, and government agencies to enhance security anywhere in the world. By providing the industry's only patented operator-owned and controlled private wireless mesh networks, AES ensures superior reliability, low TCO and optimal RMR while reducing dependence on service provider infrastructures. The company's flagship AES-IntelliNet systems are deployed in over a half million locations worldwide.

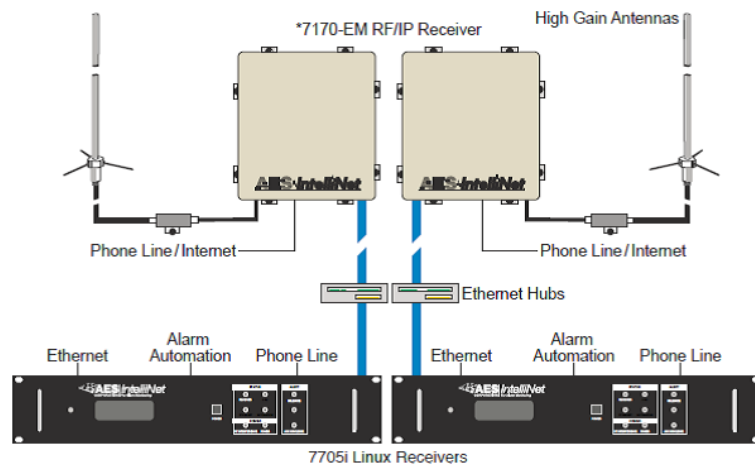
No More Boundaries

AES-IntelliNet® private wireless alarm communication networks are owner operated and controlled with the flexibility to be infinitely scalable, allowing for easy network expansion. There are no monthly telecommunication fees and no more worries about technology obsolescence, providing significant operation enhancements for existing AES-IntelliNet users.

AES-MultiNet Offers Many Advanced Features

Integrated software allows secure system access and control via a remote PC and provides for modem and telephone line back up in case of Internet outage.

- 128 Bit Encryption
- High Powered Linux Operating System
- Easy to use GUI
- Complete Hardware Redundancy
- Fail Secure
- Redundant Communications Link to Central Station
- Network Compatibility to Intrusion and Fire Alarm Panels
- TCP/IP and Serial Integration to Central Station Software



For more information, go to www.aes-corp.com or call **(800) 237-6387** or contact us at sales@aes-corp.com