



7795

AES-IntelliPro Fire™ Series – Primary

Installation Manual

AES Corporation

285 Newbury Street

Peabody, MA 01960-1315 USA

Tel (978) 535-7310 • Fax (978) 535-7313

www.aes-intellinet.com

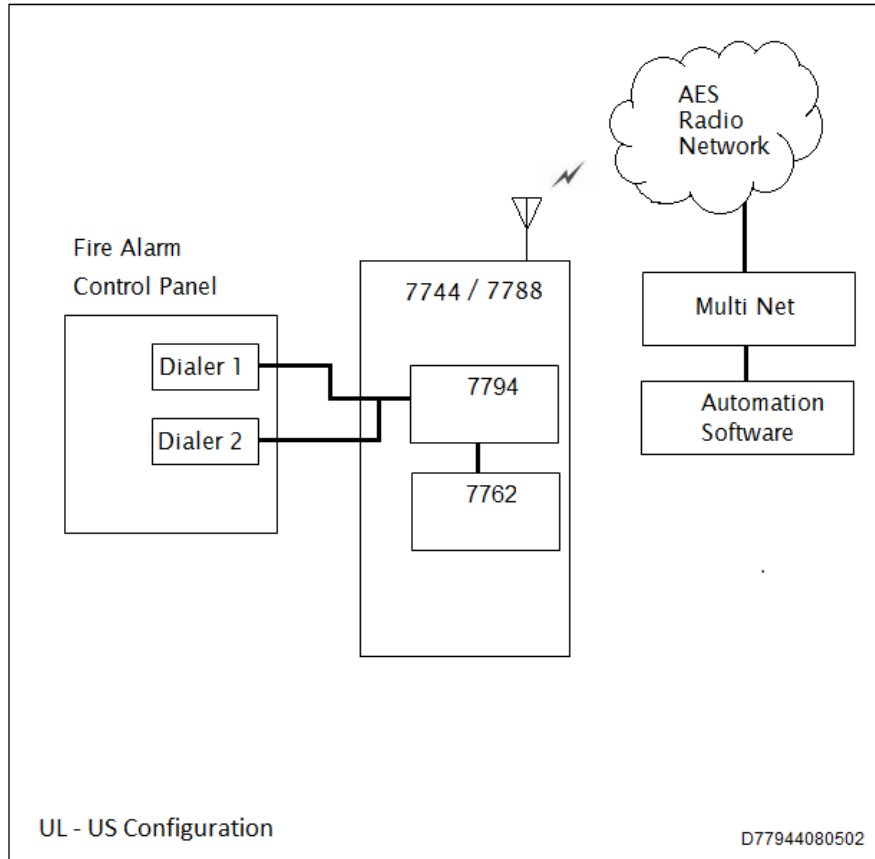
Copyright 2014 All Rights Reserved

P/N 40-7795

Rev 1

Sept. 5, 2014

The **AES 7795** is a combination of the **7794 AES-IntelliPro Fire** and the **7762 Hardware Supervisory Module**. Using the **7762** and the **7794** together allows the **7794** to be used as a primary communicator as shown in the diagram below:



See:

7794 Installation Manual AES P/N 40-7794

7762 Installation Manual AES P/N 40-7762

for instructions on installation, configuration and use.