

AES 7712 – 8 Zone Input Card Installation and Operation Manual

Overview

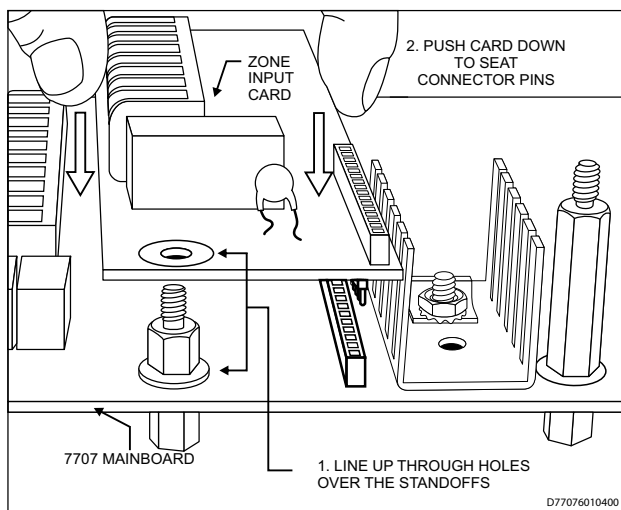
The 7712 8 Zone Input Card is designed for use with the AES 7707 RF Fire Subscriber. The zone input card provides an interface between Fire Alarm Control Panel relay output dry contacts, or reverse polarity output, and the 7077 subscriber. Four zone inputs use EOL resistors, and four zone inputs are reverse polarity inputs. All inputs are supervised and are power limited.

Out of Box

- 7712 8 Zone Input Card 1ea. AES P/N 7712
- Threaded M/F Hex standoffs 2 ea.
- Hex nuts 2 ea.
- 2.2k EOL Resistor 4 ea. AES P/N 02-0029-EOL
- 7712 Installation and Operation Manual 1 ea. AES P/N 40-7712

Physical Installation

1. Turn off power to the 7707 subscriber and alarm panel.
2. Place the 7712 zone input card over standoffs on the mainboard as shown in the diagram below.
3. Press the input card down to seat the header connector on the mainboard.
4. Place hex nuts on the 7712 standoffs. Do not over-tighten.



5. Refer to the wiring diagram on Pg. 2 to connect the alarm panel dry contact relay outputs, or reverse polarity outputs, to the 7712 zone inputs. **Important!** Zone inputs **Z1 through Z4** are EOL resistor inputs.
6. Re-apply power to the subscriber. Configure the 7707 subscriber, and set the zone input type to match zone use (**Fire** or **Bypassed**).
7. Refer to the wiring diagram and 7707 Instruction manual for details on setting the zone inputs.

Technical Specifications

Power Supply

Supply Voltage: 12V DC supplied by 7707 subscriber
Current Consumption: 40 mA

Environmental Specifications

Operating Temperature: 32°F to 120°F (0°C to 49° C)
Storage Temperature: 14°F to 140°F (-10° to 60° C)
Relative Humidity: 0 to 93%, Non Condensing

Mechanical Specifications

Size: 1 ½ in. x 5 in. (3.81cm x 12.7 cm)
Weight: 3 oz. (0.08 kg)

Inputs

Number of inputs: 8
EOL resistor type: 4 ea. Zones: **Z1, Z2, Z3, Z4**

Dry Contact with 2.2k ohm EOL resistor. Supervised. Power limited. Circuit is 2.5V DC max. at 1.2 mA max. Wire resistance = 2 kΩ.

Reverse Polarity type: 4 ea. Zones: **Z5, Z6, Z7, Z8**
Reverse Polarity input of 12V DC at 1.7 mA or 24V DC at 2.8 mA. Supervised. Connect only to power limited circuit. Maximum wire resistance at 12V DC input = 15 Ω, at 24V DC = 30 Ω.

Reverse Polarity Input Conditions

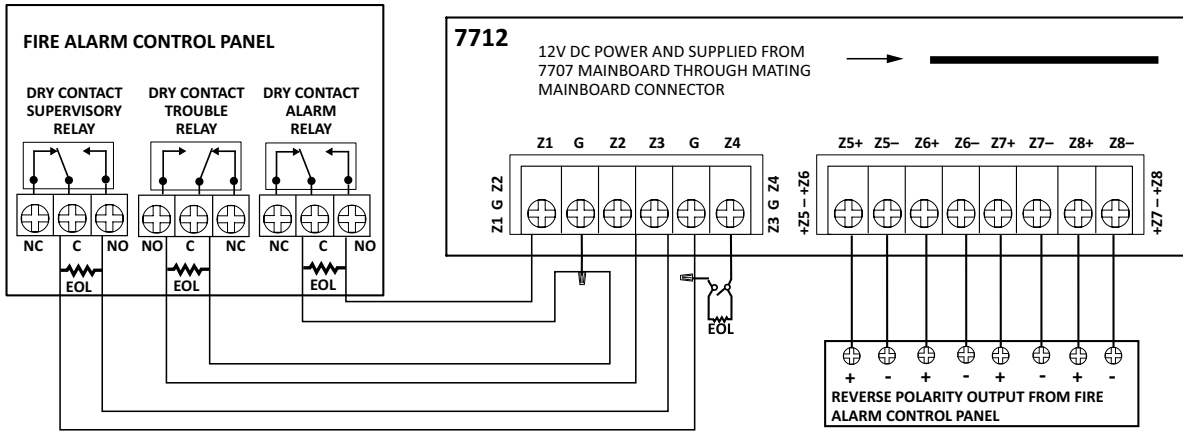
Normal: + to +, - to -

Alarm: + to -, - to + (polarity input reversed)

Trouble: Low Voltage or No Voltage in circuit

Ground Fault

Ground fault occurs when the impedance of a zone input to earth ground is less than 50 kΩ.



EOL RESISTOR – 2200 OHMS – AES PART NO. 02-0029EOL
Resistor must be at end of line inside the control panel.

Unused Zone Inputs – Program as Bypass
ALL ZONE INPUTS ARE SUPERVISED.
ALL LINES ARE POWER LIMITED.

Place only one wire under each terminal screw head.
Use wire nut when connecting multiple wires to one terminal.
Field wiring size: 18 to 22 gauge

**7712 – 8 Zone Input Card
Wiring Diagram**

D77126010103

LIMITED PRODUCT WARRANTY: AES Corporation (“AES”) warrants to the original purchaser that each AES Subscriber Product will be free from defects in material and workmanship for one (1) year from date of purchase and all other products purchased from AES including central station receivers and accessories will be warranted for one (1) year from the date of purchase. At no cost to the original purchaser for parts or labor, AES will repair or replace any AES Product or any, part or parts thereof which are judged defective under the terms of this Warranty.

Defective AES Products must be returned to AES directly, provided they are properly packed, postage prepaid. Or exchange may be made through any authorized direct factory representative for any AES Products that are judged defective under the terms of this Warranty. Improper or incorrectly performed maintenance or repair voids this Warranty. This Warranty does not cover replacement parts that are not approved by AES. This Warranty does not apply to any AES Product or any part thereof that has been altered in any way to affect its stability or reliability, or that has been subjected to abuse, misuse, negligence, accident or act of God, or that has had the serial number effaced or removed.

Certain AES Products are designed to operate and communicate with other specified AES Products and certain other specified products, systems or networks authorized or approved by AES, as identified in the applicable AES Product instructions. This Warranty does not apply to any AES Product that is used with any unauthorized or unapproved products, systems or networks, or that has been installed, applied or used in any manner, other than in strict accordance with AES instructions.

AES makes no warranty, express or implied, other than what is expressly stated in this Warranty. If the law of your state provides that an implied warranty of merchantability, or an implied warranty of fitness for particular purpose, or any other implied warranty, applies to AES, then any such implied warranty is limited to the duration of this Warranty.

AES cannot be aware of and is not responsible for the differing values of any property to be protected by its alarm reporting systems. This Warranty does not cover and AES shall not be liable for any defect, incidental or consequential, loss or damage arising out of the failure of any AES Product to operate.

Some states do not allow the exclusion or limitation of the durations of implied warranties or the limitation on incidental or consequential damages, so the above limitations or exclusions may not apply to you.

This Warranty gives you specific legal rights and you may also have other rights that vary from state to state.

TECHNOLOGY LICENSE:

Certain AES Products include software, protocols and other proprietary and confidential technology and trade secrets of AES which are incorporated in or provided with AES Products solely for use in conjunction with and in order to operate AES Products (“Licensed Technology”). AES grants the original purchaser a nonexclusive license to use such Licensed Technology solely in connection with the use and operation of AES Products and for no other purpose or use whatsoever. No title or ownership in or to any such Licensed Technology is conveyed by the sale or delivery of any AES Products; all such rights are retained by AES.

AES SERVICE PROCEDURE:

Contact AES by phone (978) 535-7310, fax (978) 535-7313 or email (rma@aes-intellinet.com) to receive a Return Material Authorization Number. Have the AES part number and serial number ready. Repack equipment in original or equivalent packaging. Inside the box, please include a contact name, telephone number, address and a brief description of the reason for return. Ship items freight-prepaid to:

Repair Services, RMA# _____ AES Corporation
285 Newbury Street
Peabody, MA 01960 USA

(Contact AES for Return Material Authorization number.)