

No More Boundaries

7170 Remote IP Link Receiver

Technical Specifications

DIMENSIONS

NEMA4 Enclosure
15 in H x 13 in W x 7 in D
(38.1 cm H x 33.02 cm W
x 17.78 cm D)

WEIGHT

8.2 lb, 3.7 kg

POWER SUPPLY

110V

ETHERNET CONNECTION

RJ45
Connection - RJ11
Telephone Line Connection

BATTERY BACKUP

12V 10A HR Battery

OPERATING TEMPERATURE

0° to 50° C (32° to 122° F)

NETWORK CONNECTIVITY

TCP/IP Network

RF OPERATING FREQUENCY OPTIONS

UHF - 400-512 MHz
VHF - 150-174 MHz
Others Available

UL LISTINGS

UL 864 - Edition 9
UL 2050
UL 1610
UL 365

NFPA-72 COMPLIANT

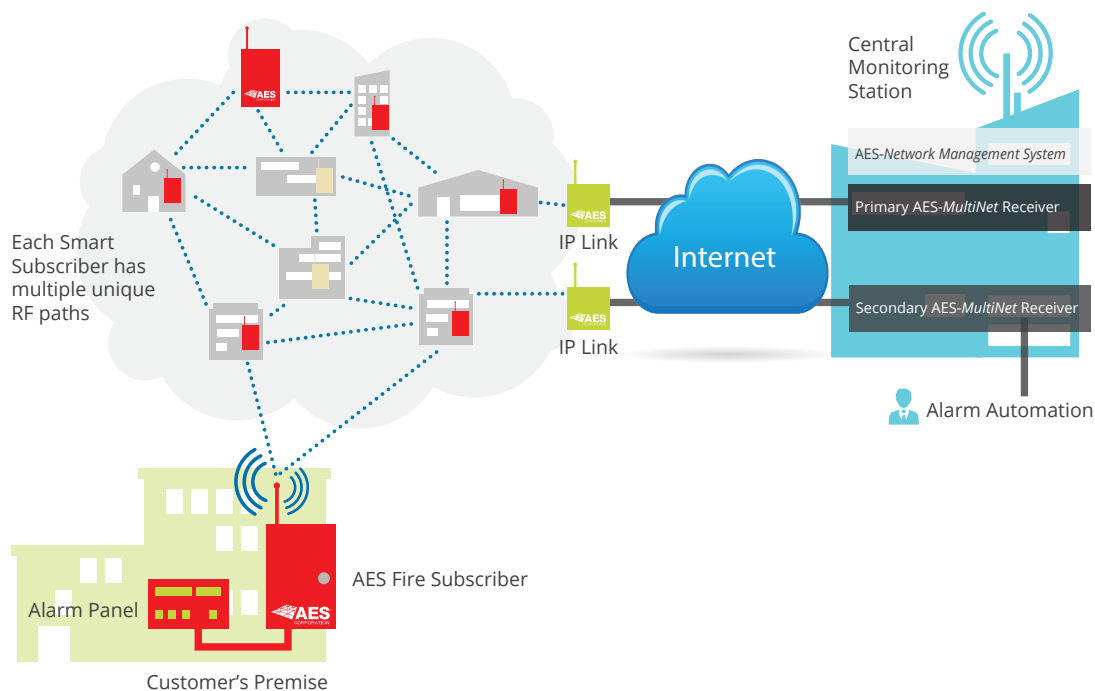


Features

- Connect Multiple AES-*IntelliNet* Networks
- Expand AES-*IntelliNet* Wireless Network Capacity
- Wireless-to-Internet Alarm Transmission
- UL Listed
- NFPA-72 Compliant

Wireless mesh networking is an innovative technology adopted by many industries with applications that need to communicate data over a large geographic area with a high level of reliability at a low Total Cost of Ownership (TCO).

The advanced design and 2-way communications capability provides easy installation, expansion, and management when compared to alternative communication methods, both wired and wireless.



HOW TO ORDER

Model	Description
7170-EM(UL)	UL Listed Remote IP Link Receiver

About AES Corporation

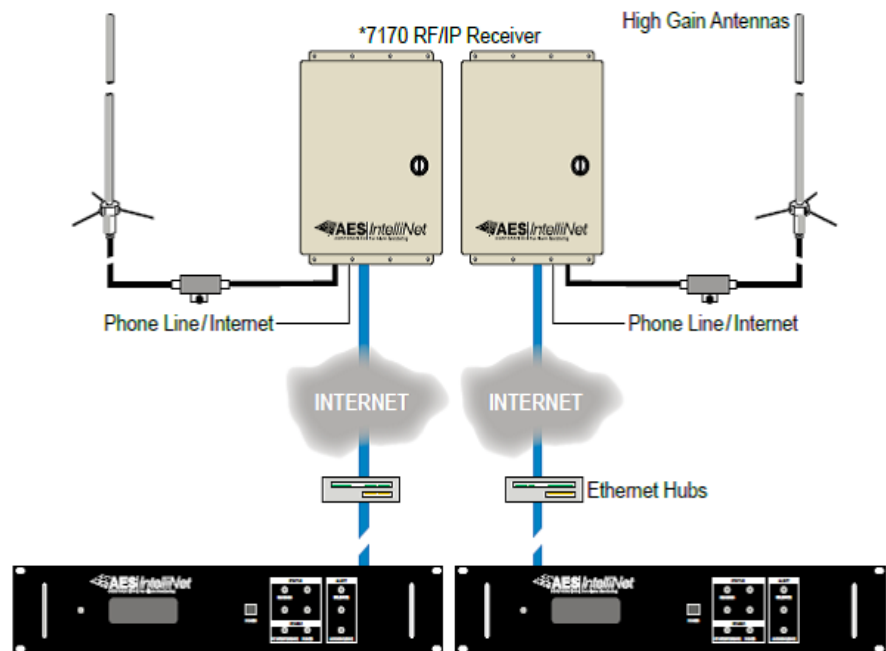
AES Corporation is the leading manufacturer of code compliant wireless alarm communication products and solutions serving commercial security markets and government agencies worldwide.

AES-IntelliNet® patented technology will never sunset compared to obsoleting technologies such as cellular and traditional phone lines. AES private mesh radio networks are owner operated and controlled, providing infinite scalability and superior reliability with the fastest transmission speed available. Over a half million AES Smart Subscribers are installed worldwide. AES is the clear choice for life safety and security, protecting people and property for over 40 years.

Connects Multiple AES-IntelliNet® Radio Networks

A major component of the AES-*MultiNet* Transceiver System, the 7170 RF/IP Transceiver connects AES-*IntelliNet* radio networks to AES-*MultiNet* 7005i/ 7705i Servers, via the Internet. Adding AES 7170 Remote RF/IP Transceiver allows central stations to monitor one or more AES-*MultiNet* Radio networks from a single location anywhere on the globe!

- UL Listed and NFPA-72 compliant (2 AES 7170 Remote RF/IP Transceivers required by UL)
- Operator-owned network
- No monthly fees
- Universally expandable
- Full data or discreet zoning



No More Boundaries

- Multi-region fire and security wireless alarm communications anywhere
- Large regional users of AES-*IntelliNet* networks can use the AES-*MultiNet* system to increase coverage



For more information, go to www.aes-corp.com or call **(800) 237-6387** or contact us at sales@aes-corp.com