

No More Boundaries

# 7170 Remote IP Link Receiver

## Technical Specifications

### DIMENSIONS

15 in H x 13 in W x 7 in D  
(38.1 cm H x 33.02 cm W x 17.78 cm D)

### WEIGHT

8.2 lb, 3.7 kg

### POWER SUPPLY

110V

### ETHERNET CONNECTION

RJ45  
Connection - RJ11  
Telephone Line Connection

### BATTERY BACKUP

12V 10A HR Battery

### OPERATING TEMPERATURE

0° to 50° C (32° to 122° F)

### NETWORK CONNECTIVITY

TCP/IP Network

### RF OPERATING FREQUENCY OPTIONS

UHF - 400-512 MHz  
VHF - 150-174 MHz  
Others Available

### UL LISTINGS

UL 864 - Edition 9  
UL 2050  
UL 1610  
UL 365

### NFPA-72 COMPLIANT

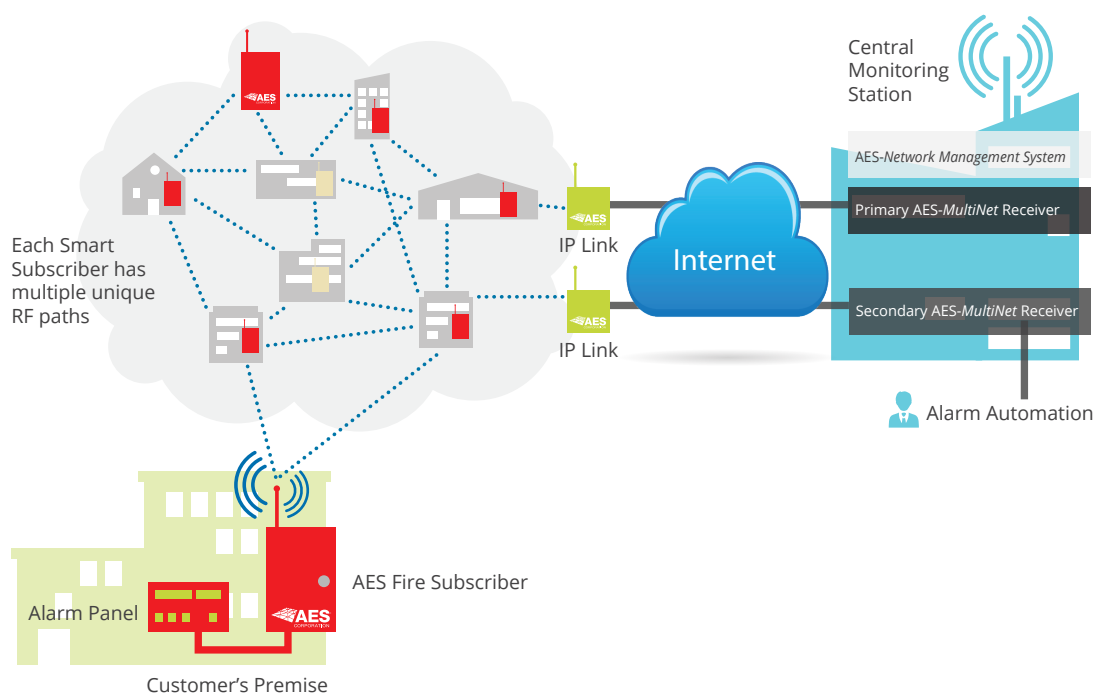


## Features

- Connect Multiple AES-IntelliNet Networks
- Expand AES-IntelliNet Wireless Network Capacity
- Wireless-to-Internet Alarm Transmission
- UL Listed
- NFPA-72 Compliant

Wireless mesh networking is an innovative technology adopted by many industries with applications that need to communicate data over a large geographic area with a high level of reliability at a low Total Cost of Ownership (TCO).

The advanced design and 2-way communications capability provides easy installation, expansion, and management when compared to alternative communication methods, both wired and wireless.



## HOW TO ORDER

Model	Description
7170-EM(UL)	UL Listed Remote IP Link Receiver

### About AES Corporation

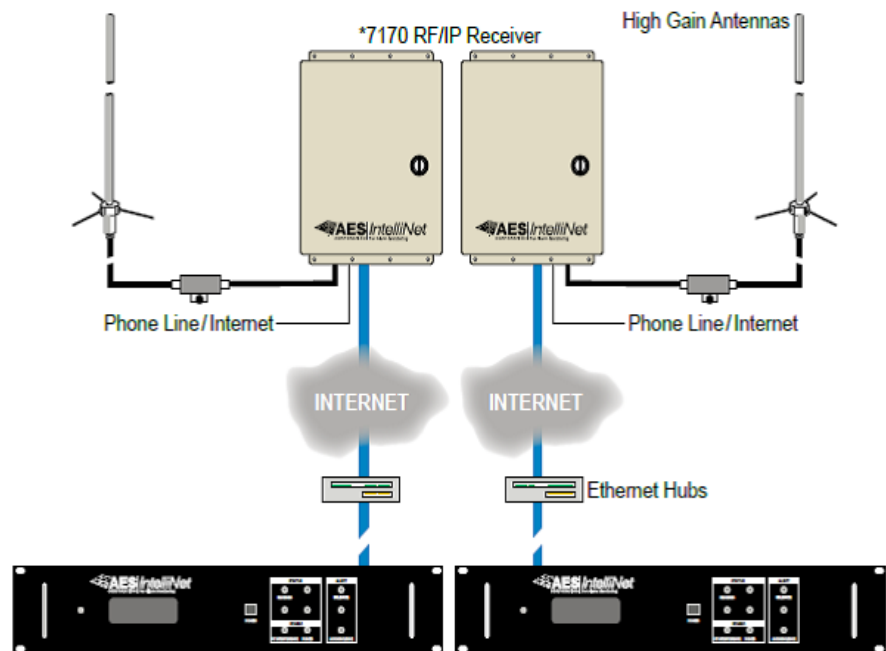
AES Corporation is the leading manufacturer of code compliant wireless alarm communication products and solutions serving commercial security markets and government agencies worldwide.

**AES-IntelliNet®** patented technology will never sunset compared to obsoleting technologies such as cellular and traditional phone lines. AES private mesh radio networks are owner operated and controlled, providing infinite scalability and superior reliability with the fastest transmission speed available. Over a half million AES Smart Subscribers are installed worldwide. AES is the clear choice for life safety and security, protecting people and property for over 40 years.

## Connects Multiple AES-IntelliNet® Radio Networks

A major component of the AES-*MultiNet* Transceiver System, the 7170 RF/IP Transceiver connects AES-*IntelliNet* radio networks to AES-*MultiNet* 7005i/ 7705i Servers, via the Internet. Adding AES 7170 Remote RF/IP Transceiver allows central stations to monitor one or more AES-*MultiNet* Radio networks from a single location anywhere on the globe!

- UL Listed and NFPA-72 compliant (2 AES 7170 Remote RF/IP Transceivers required by UL)
- Operator-owned network
- No monthly fees
- Universally expandable
- Full data or discreet zoning



## No More Boundaries

- Multi-region fire and security wireless alarm communications anywhere
- Large regional users of AES-*IntelliNet* networks can use the AES-*MultiNet* system to increase coverage



For more information, go to [www.aes-corp.com](http://www.aes-corp.com) or call **(800) 237-6387** or contact us at [sales@aes-corp.com](mailto:sales@aes-corp.com)