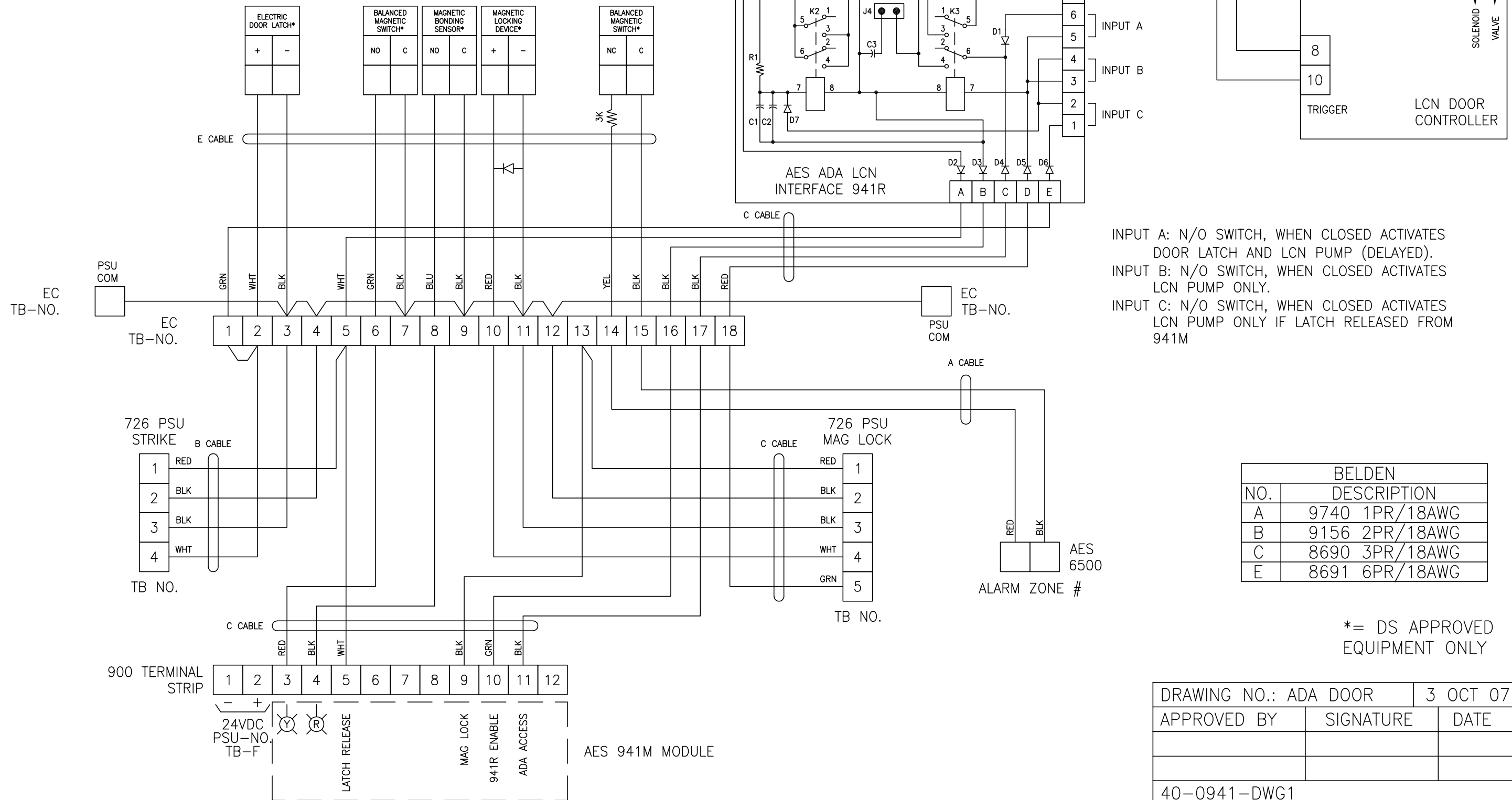


# AES 941 ADA DOOR CONTROL SINGLE CONTROL

JUMPER J4: SELECTS OFF DELAY  
JUMPER SELECTED (ON)= TIMER  
HOLDS STRIKE FOR 3 SECONDS



DRAWING NO.: ADA DOOR	3 OCT 07
APPROVED BY	SIGNATURE DATE
40-0941-DWG1	

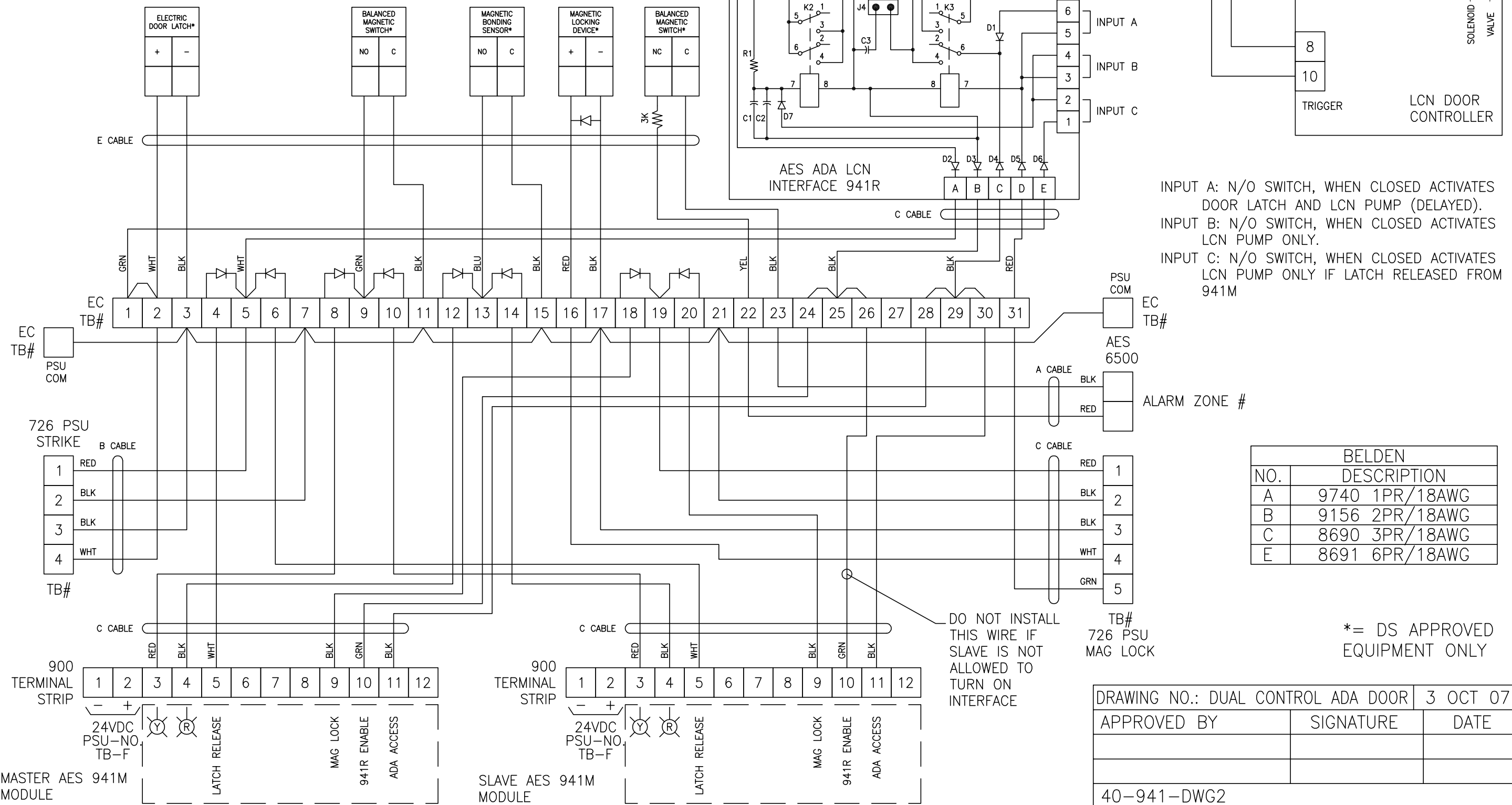
# AES 941 ADA DOOR CONTROL DUAL CONTROL

JUMPER J4: SELECTS OFF DELAY  
JUMPER SELECTED (ON)= TIMER  
HOLDS STRIKE FOR 3 SECONDS

FOR DUAL CONTROL, ORDER

1 - #941-PKG

1 - #941-M, EXTRA CONTROL MODULE



INPUT A: N/O SWITCH, WHEN CLOSED ACTIVATES DOOR LATCH AND LCN PUMP (DELAYED).  
INPUT B: N/O SWITCH, WHEN CLOSED ACTIVATES LCN PUMP ONLY.  
INPUT C: N/O SWITCH, WHEN CLOSED ACTIVATES LCN PUMP ONLY IF LATCH RELEASED FROM 941M

BELDEN	
NO.	DESCRIPTION
A	9740 1PR/18AWG
B	9156 2PR/18AWG
C	8690 3PR/18AWG
E	8691 6PR/18AWG

\*= DS APPROVED EQUIPMENT ONLY

DRAWING NO.: DUAL CONTROL ADA DOOR		3 OCT 07
APPROVED BY	SIGNATURE	DATE
40-941-DWG2		

DO NOT INSTALL THIS WIRE IF SLAVE IS NOT ALLOWED TO TURN ON INTERFACE