

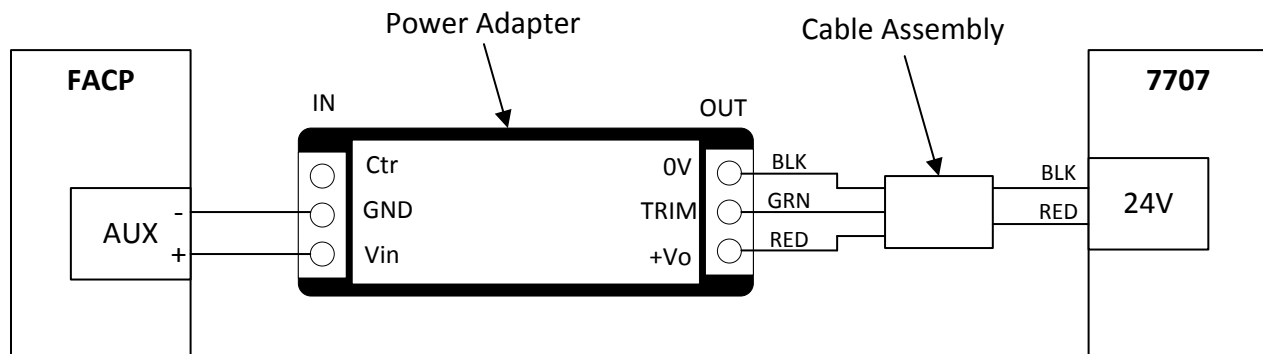
7707 IntelliNet 2.0 Fire Subscriber



AES Corporation’s new *IntelliNet 2.0* 7707 Fire Subscriber has many new, state-of-the-art features. One of the most exciting features is its flexibility to support multiple power options including the use of auxiliary DC power, expansion of the Fire Alarm Control Panel (FACP) power supply, or Notification Appliance Circuit (NAC) output from a FACP.

When selecting the option to use auxiliary DC power for the 7707 from a FACP, the FACP must be isolated from the earth ground by using an isolated DC-DC supply in order to maintain the isolation barrier and avoid inducing a ground loop current that could potentially trigger a ground fault detection at the FACP.

AES offers a certified FACP Power Adapter accessory which is easily installed inside the 7707 2.0 Fire Subscriber enclosure to ensure a proper connection of the auxiliary DC power option (refer to Model # 77-FACPA when placing an order). The FACP Power Adapter prevents unnecessary ground fault reporting and serves as an isolated DC-DC power adapter that provides the necessary isolation barrier between the 7707, interconnect cable assembly, and FACP (see illustration below).



Another option is to install the FACP Power Adapter via an external mount inside a junction box outside of the 7707 enclosure. Both of these options assume the DC wiring from the FACP has already been completed according to local code requirements and that the DC wires are available for local connection to the 7707 unit.

Full installation and flexible power option details are described in the AES Technical Notes, available for download from the Dealer Portal. Please contact our AES Support team for more information or if you need assistance with your access login, start a live chat session on our website by clicking on the Support Online button or send us an email to support@aes-corp.com.

For ordering details, please contact your AES Sales Representative at sales@aes-corp.com or (800) 237-6387.