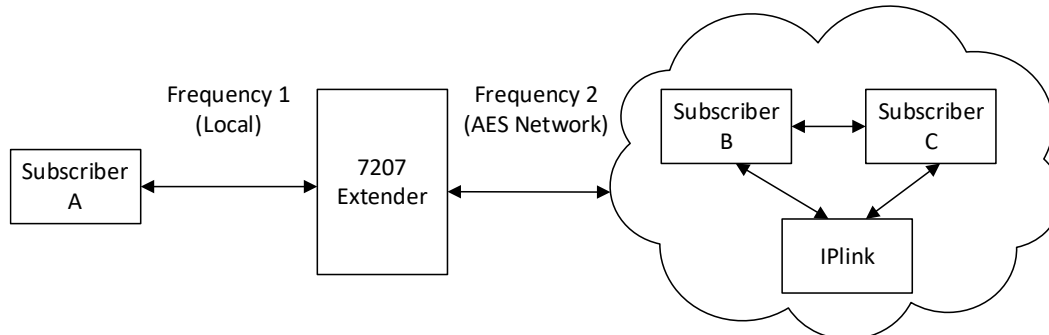


7207 Extender Quick Start Guide

The AES 7207 Extender provides improved connectivity to the AES network for subscribers that have poor connectivity due to installation in a hard to reach location. This is accomplished by bridging a “local” frequency (Frequency 1) to the existing AES RF network (Frequency 2) to re-transmit AES messages. The local frequency provides the connection between the subscriber and the 7207 extender.



The optimum location for the extender will provide good connectivity to the existing AES RF network, and will be in relatively close proximity to the subscriber location, for example, within the same building. A typical installation might have an extender installed near the roof of a building to provide connectivity with a subscriber located in the basement.

Installation Instructions

1. Replace the transceiver in the subscriber with the “local” frequency included with the 7207.
2. Install the licensed transceiver removed from the subscriber into the right side of the 7207.
3. Install the two rubber ducks on the 7207 enclosure and connect them to the two transceivers.
4. Connect the AC transformer or battery to the 7207 to power it up.
5. Verify the subscriber can acquire similar routes through the extender as it did initially.
6. Disconnect power to the 7207.
7. Move the 7207 to the selected location and connect AC transformer and 7AH battery.
8. Verify the subscriber can now communicate with improved access to the network.
9. Mount the 7207 enclosure at the permanent location and install AC power as required.

LCD Display

The LCD displays the unit model number and firmware version. A blinking indicator in the lower right corner shows the firmware is running. When a packet is forwarded between the AES network (“OUT”) and the local network (“IN”), the display shows the direction of transmission. A complete transaction includes a transmission in one direction and a reply in the other direction.

Packet from local radio to AES network: OUT >>=====

Packet from AES network to local radio: IN <<=====

The green LED above the LCD shows power is on. The yellow LED will blink and the unit will chirp once every 10 seconds on low battery, low AC, or charger fail. Press the menu button to show the failure. Hold down the menu button for 5 seconds to silence the chirp for 24 hours.

