
Technical Manual

AES 900 Door Control System



285 Newbury Street
Peabody, Massachusetts 01960 USA
Telephone: 1-978-535-7310
Fax: 1-978-535-7313
www.aes-security.com

Document # 40-0900

Updated November 2014
Rev 3.1

11 07 14

**This Document Covers Models
726, 900, 905, 910, 920, 940, 944, 945, 946, 950-6**

900 Series Door Control System Operation & Installation Instructions

The AES 900 Door Control Product Group is a modular, flexible and expandable system for high security applications. All modules fit into a special rack system that allows the security designer to tailor the system to the application. Modules are housed in the AES 900 cabinet, which holds up to 9 modules and fits a standard 19" rack. The system buss structure provides for an unlimited number of modules.

The model 950-6, a small desktop console capable of controlling 6 doors, is available for small systems.

The system is powered by the AES 726, 727 or 780 Power Supply:

AES #726: 4 relays, 4 locks, 2 doors*

AES #727, 8 relays, 8 locks, 4 doors*,

AES #780, 12 relays**, 12 locks, 6 doors

* Each door typically uses an access / strike lock and an emergency (usually magnetic) lock.

** Order relay cards separately, #727-RB with 4 relays

What follows are detailed operating instructions and detailed wiring diagrams for the system and its various modules.

Table of Contents

System/Components:	Applications; Operation	
910	Emergency Module	3
920	Monitor for Walk Through Metal Detector	4
940	Door Control Module	5
950-6	Mini Console	6
944	Fire Door Control Package	7
	Includes 945 Fire Door Control Module & 946 Fire Door Remote Station	
Installation and Wiring		
950-6	Mini Console, 726 Power Supply	11
944	Fire System, 945 Module, 946 Remote Station	12
910, 940, 726	Typical Wiring	13

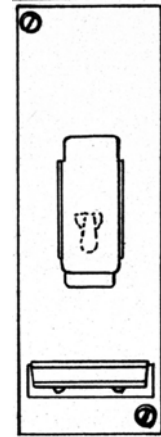
AES Corporation

285 Newbury Street • Peabody, Massachusetts 01960 USA • www.aes-security.com

AES 910 EMERGENCY MODULE

DESCRIPTION:

The 910 Emergency Module provides a complete system lock down at the flip of a switch. It can be used in conjunction with any number of doors connected to 940, 941-M or 945 control modules. In an emergency, the operator can lock all doors - even overriding an UNLOCK condition caused by input from a fire control. The operator can then open the doors one at a time as needed, or all at once in the case of a true emergency.



RACK LOCATION: MUST BE LOCATED IN FIRST (LEFT-MOST) POSITION

GUARDED TOGGLE SWITCH OPERATION:

Down Position - Normal Operation; in the event of a fire, the external fire control system will unlock all doors

Up Position - Emergency Lock Down; all doors are locked regardless of any other inputs; overrides fire control

STATUS INDICATORS: None

TO OPEN DOORS DURING EMERGENCY LOCK DOWN: (910 switch in UP position)

To Open Individual Door(s): On each 940, 941-M and/or 945 module, lift guard and push toggle switch into UP position

To Cancel Emergency Lock Down: Restore switch on 910 to DOWN (normal) position

At 946 Status Display Panel, at Door: use key switch at door to release lock

INSTALLATION:

In general, wiring should be made in accordance with the wiring diagram(s) provided.

910 module must be mounted in first (far left) position of rack.

AES 920 MONITOR FOR WALK THROUGH METAL DETECTOR

****THIS ITEM IS DISCONTINUED****

This page is included for reference of previously fielded systems.

DESCRIPTION:

The AES 920 is a remote display for a walk through metal detector. Its audible and visual indicators work in unison with the indicators on the metal detector.

RACK LOCATION: Any Location EXCEPT the first (far left) position

TOGGLE SWITCH OPERATION:

Down Position - Turns off audible alert

Up Position - Turns on audible alert

STATUS INDICATORS:

Red Lamp - Indicates metal has been detected

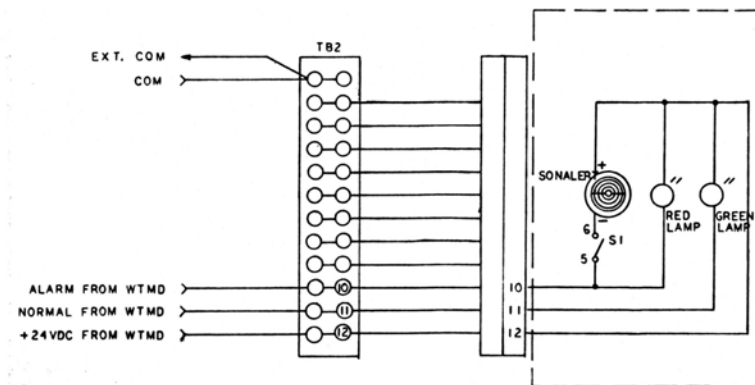
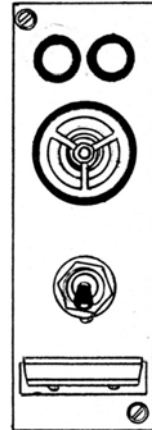
Green Lamp - Indicates no metal has been detected

AUDIBLE INDICATOR:

Indicates metal has been detected, operates in unison with Red Lamp. May be disabled by moving toggle switch to DOWN position

INSTALLATION:

In general, wiring should be made in accordance with the wiring diagram(s) provided.



AES 940 DOOR CONTROL MODULE

DESCRIPTION:

Each 940 module controls one (1) door. Each door includes two (2) locks: an emergency/magnetic lock; and an access/strike lock. Both locks must be released for the door to open. Indicators on the module display the status of the emergency/magnetic lock, and the door position (open/closed) as sensed by a contact switch at the door.

RACK LOCATION: Any Location EXCEPT the first (far left) position

GUARDED TOGGLE SWITCH OPERATION:

Down Position - Release emergency/magnetic lock

Middle Position - Locks emergency/magnetic lock

Up Position - Overrides Emergency Lock Down (see 910 module); releases door during and emergency lock down period

PUSH BUTTON (LIGHTED) SWITCH OPERATION:

Push - Releases access/strike lock

STATUS INDICATORS:

Red Lamp - Indicates that the emergency/magnetic lock is secured, confirming that the door is closed and cannot be opened

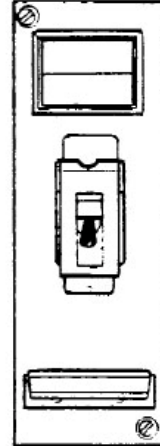
Yellow Lamp - Indicates that door is open

TO OPEN DOORS DURING EMERGENCY LOCK DOWN:

Lift switch guard and push toggle switch into UP position

INSTALLATION:

In general, wiring should be made in accordance with the wiring diagram(s) provided.



AES 950-6 DESKTOP DOOR CONTROL

DESCRIPTION:

This desktop console is used to monitor and control six (6) doors. Each door includes two (2) locks: an emergency/magnetic lock; and an access/strike lock. Both locks must be released for the door to open. Indicators on the console display the status of the emergency/magnetic lock, and the door position (open/closed) as sensed by a switch contact at the door.

APPLICATIONS: The 950-6 is a cost effective solution for applications that do not require the comprehensive system provided by the 900 rack system.

TOGGLE SWITCH OPERATION:

Down “SECURE” Position - Latches emergency/magnetic lock

Up “ACCESS” Position - Releases emergency/magnetic lock

PUSH BUTTON SWITCH OPERATION:

Push - Releases access/strike lock

STATUS INDICATORS:

Amber “LOCK” Lamp - Indicates emergency/magnetic lock is not activated, confirming that door can be opened

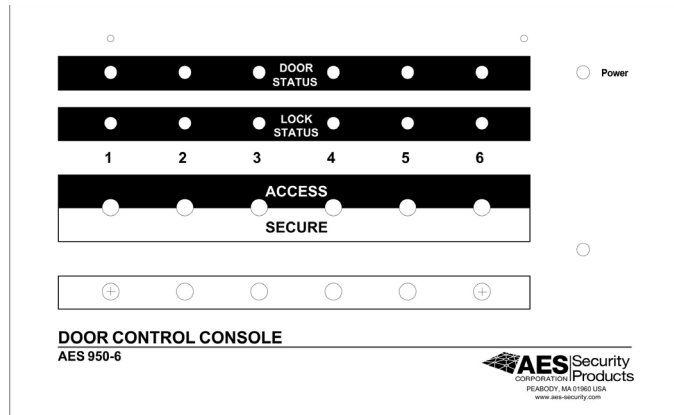
Red “DOOR” Lamp - Indicates that door is open

AUDIBLE WARNING:

An audible warning sounds whenever a door is opened. This feature can be defeated on a door by door basis. A 6 position DIP switch inside the unit allows the installer/operator to switch the buzzer for door numbers 1 - 6 on or off individually.

INSTALLATION:

In general, wiring should be made in accordance with the wiring diagram(s) provided.



FIRE EXIT DOOR CONTROL SYSTEM, AES 944, SYSTEM DESCRIPTION & INSTALLATION

SYSTEM COMPONENTS

- **945 Fire Exit Door Control Module** fits 900 or 905 rack, with adapter wire
- **946 Fire Exit Door Status Display Panel**, which is mounted adjacent to the fire exit. Surface mount and flush mount boxes are provided (#'s 946-SB and 946-MB).

ALSO REQUIRED (not included in this package): AES 900 or 905 Rack Cabinet; AES 910 Emergency Module in position #1 of above rack; AES 726, 727, 780, 926 (or equiv) 24 volt DC power supply; Panic Bar Release, (NO/NC) bond sensing contacts; and Magnetic Contact Switch N.O.

INSTALLATION

- Before installing the 945 module into the 900 or 905 rack cabinet, locate the rack connector in the position to be used. Pin #1 of this connector should be wired to the common buss. In some earlier versions of the 900 rack however, Pin #1 has no wire. This wire must be installed for the 945 to operate. A pre-cut adapter wire with connectors has been provided to make the connection from Pin 1 to the common bus.
- In general, wiring should be made in accordance with the diagram provided.

OVERVIEW OF SYSTEM FUNCTIONS

The fire exit door control system provides an automatic, controlled delay of fire door release with abort and override capabilities.

- Allows time for a guard or operator at the door control console to determine who is attempting to leave via a fire exit door before releasing the lock.
- Automatically releases the fire door lock after a delay period (adjustable from approx. 0 – 20 seconds). The guard or operator can release the door, keep it locked or allow the automatic delay to run its course.
- Provides visual and audible annunciation of door and lock status at the control console at the door location.
- A fire alarm system input can override the time delay and release the lock.
- The 910 Emergency Module (a separate option) overrides the automatic release. The fire system input is also overridden by the 910. The operator can still release the lock using the switch on the 945 module or the keyswitch on the 946 panel.

945 FIRE EXIT DOOR CONTROL MODULE

Guarded Toggle Switch

The guarded switch controls the lock on the fire exit door:

- **Center Position – Secure**
- **Down Position – Release**
- **Up Position – Unconditional Release**

Push Button Switch with Indicators

- Push Button Switch: The function of the push button is to cancel/reset the timed release function. If the timer is in the process of timing out, the push button will cancel its process preventing the lock from releasing. If the timer has reached the end of its cycle and the door has not yet been opened, pushing the button will secure the lock.
- Indicators: The indicator section of the push button is divided into three segments.
 - The **green** segment in the upper half lights when the door is secured, as sensed by the magnetic bond detector.
 - The **amber** segment in the lower left quarter flashes to indicate that the exit timer is running. A steady light from this segment indicates the timer period has expired and the lock is released, as sensed by the magnetic bond sensor.
 - The **red** segment, in the lower right quarter lights when the door is physically open, as sensed by the door status switch.

Buzzer

The buzzer sounds whenever the panic release bar on the fire exit door is pushed, which also activates the timer. The buzzer continues to sound until the door is open or the delay circuit is deactivated.

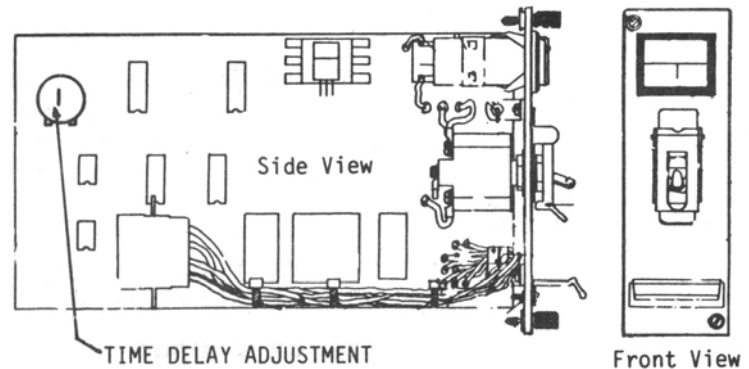
NOTE: The audible and visual indicators on the 945 module operate simultaneously with the indicators on the 946 panel.

Time Delay Adjustment

The time delay adjustment sets the delay time period between the moment the panic release bar is pushed and the time the door would automatically unlock if not manually overridden. The range of adjustment is approx 0-20 seconds. An adjusting potentiometer is located on the 945 printed circuit board (see diagram above).

Individual, Isolated Fire Control Input

A direct, isolated input is provided in the 945 module. It is isolated from other system modules and the 900 system fire buss. It allows a separate fire control to immediately release the lock controlled by the 945 module. The emergency lock down function activated by a 910 module overrides this input.



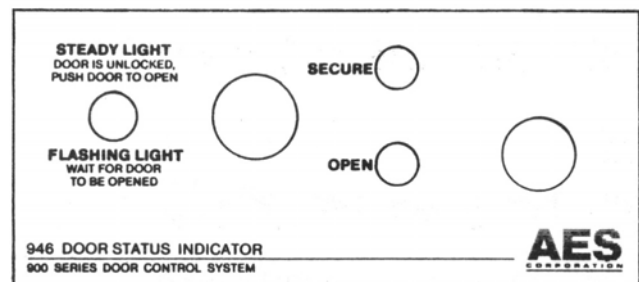
*945 Module, Continued*False Alarm Protection Features

Several electronic circuits are included to prevent casual or accidental initiation of functions.

- The panic release bar must be pushed for at least ½ second to activate the exit delay timer.
- The fire input must be switched on (to minus [-]) for ½ second to release door.
- The push button switch must be held in for ¼ second to cancel the timer.
- The door must be open for ¼ second to reset the buzzer.
- The emergency/magnetic lock must be present for ¼ second to be acknowledged.

946 STATUS DISPLAY PANEL

The 946 status display panel is mounted adjacent to the fire exit door. It annunciates the door status, informing anyone attempting to leave via that exit when the door is released.

Buzzer

A buzzer sounds when the panic release bar on the fire exit is pressed. The buzzer continues to sound until the door is opened or the delay circuit is deactivated. In addition to acknowledging the exit attempt, the buzzer serves to notify a guard or other personnel in the area that someone is attempting to exit.

Indicator Functions:

- The **green** light labeled “secure” lights when the door is secured, as sensed by the magnetic bond detector.
- The **amber** light labeled “flashing...steady...” flashes to indicate that the exit timer is running. A steady light indicates the timer has expired and the lock is released, as sensed by the magnetic bond detector.
- The **red** light labeled “open” lights when the door is physically open, as sensed by the door status switch.

NOTE that these indicators operate in sequence with indicators on the 945 module.

Key Switch Function:

A sustained position key switch is included to release the lock at any time. This key is the final factor in the circuit because it physically breaks the electrical circuit to the lock.

Other Features:

A relay is mounted in the display panel and serves to disable the panic bar switch contact when the lock is released.

FIRE EXIT COMPONENTS: INTERACTION WITH OTHER SYSTEM COMPONENTS:**910 EMERGENCY LOCK DOWN MODULE**

The AES 910 Emergency Lock Down module is a standard component on AES 900 Series Door Control Systems. Its impact on the Fire Exit Door Section of the system is discussed here.

The 910 Lock Down Module Disables the Following Functions:

In almost every case the emergency lock down switch will secure or keep secured the fire exit door by:

- Disabling the panic bar switch
- Disabling the fire exit module's individual fire input circuit
- Deactivating the exit timer circuit, if timing out or time out
- Applying power to both the fire buss and emergency buss of the rack in its usual manner

The 910 Lock Down Module May be Overridden in the Following Ways:

With the emergency lock down switch active, there are two ways to release the fire exit door:

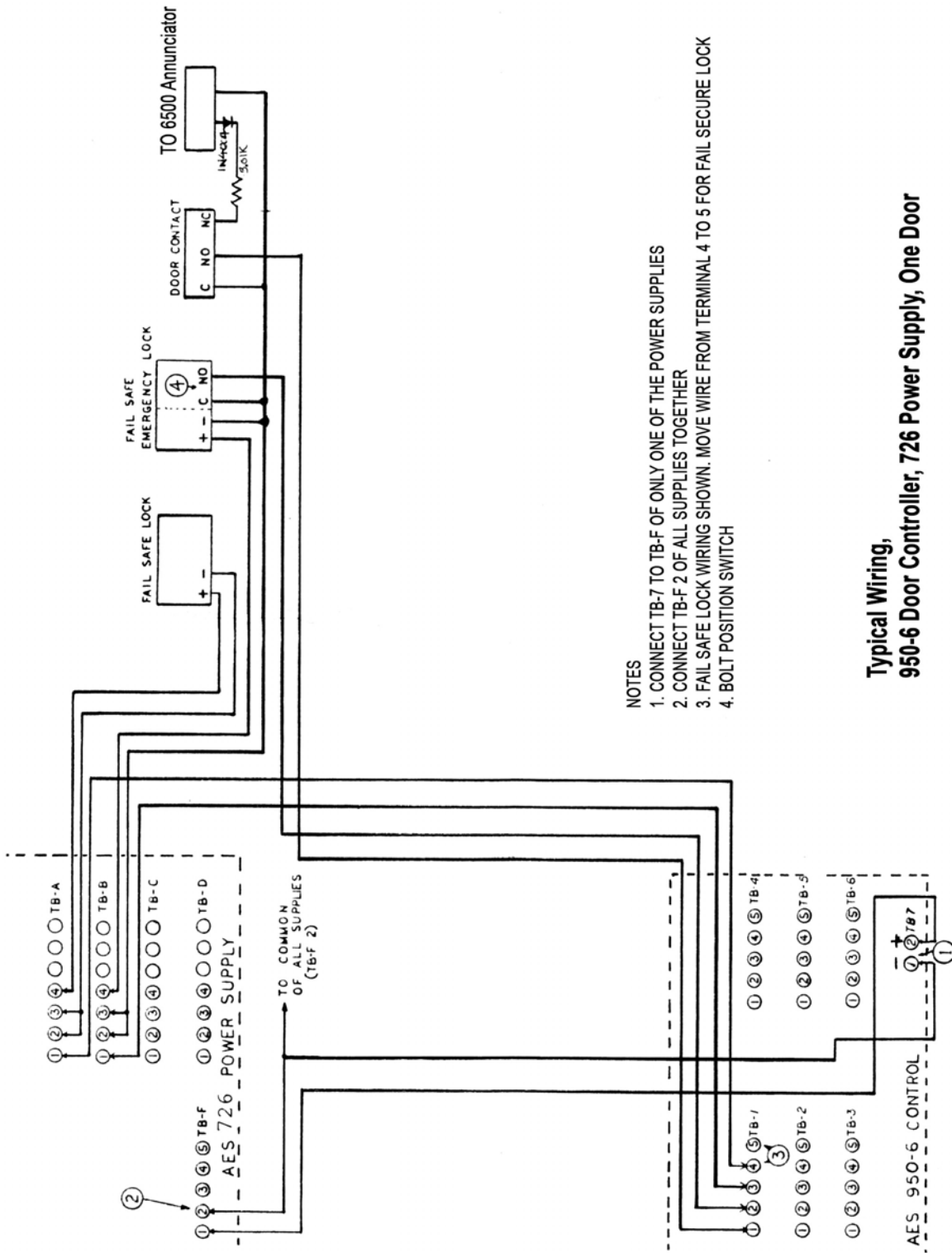
- Lifting the switch guard on the 945 module and moving the switch to its uppermost position
- Using the key switch on the 946 fire exit door status display panel.

FIRE INPUT, 900 SYSTEM BUSS

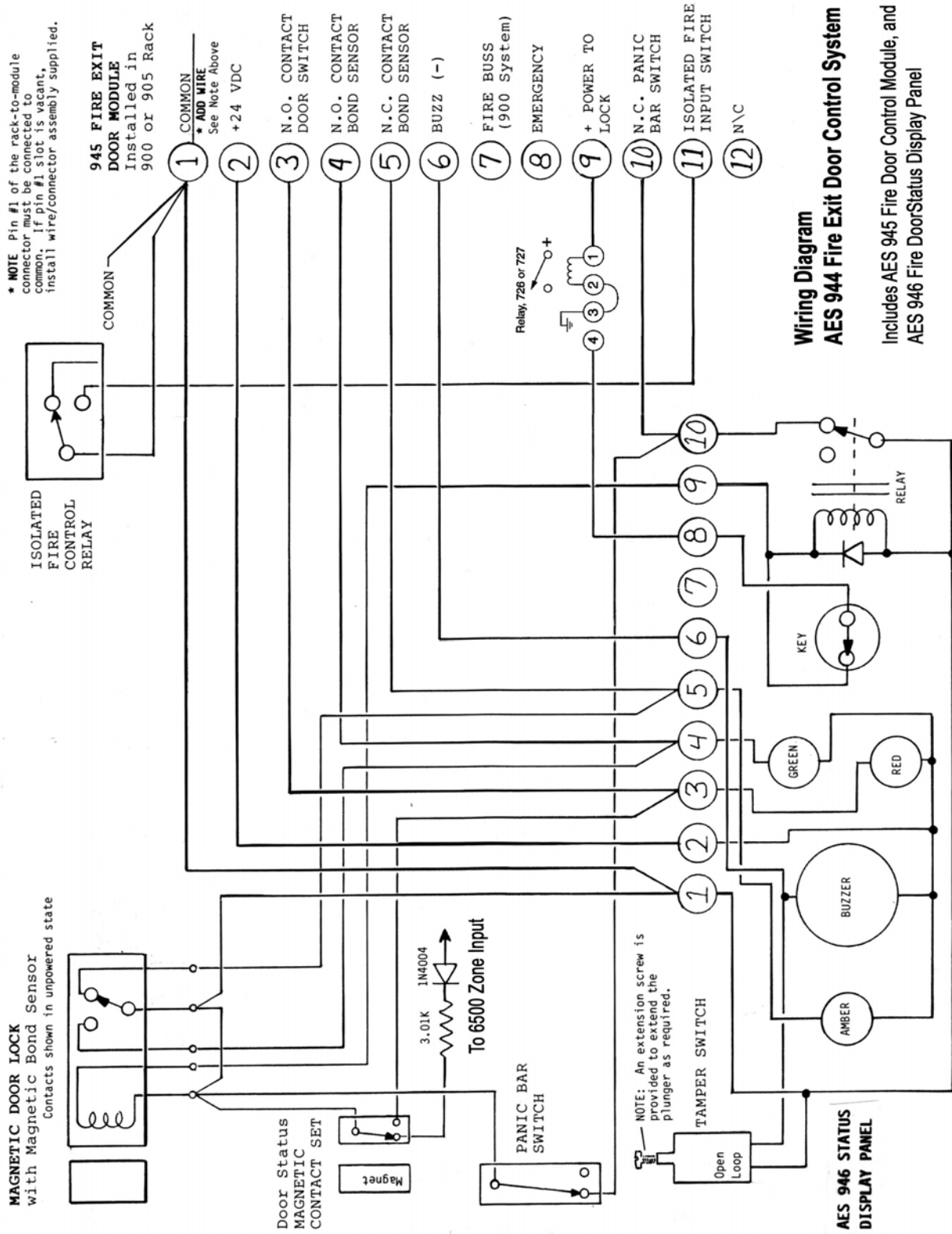
The fire circuit of the 910 emergency module forms a system-wide buss that can be used to release this type of lock along with any other locks in the 900 rack.

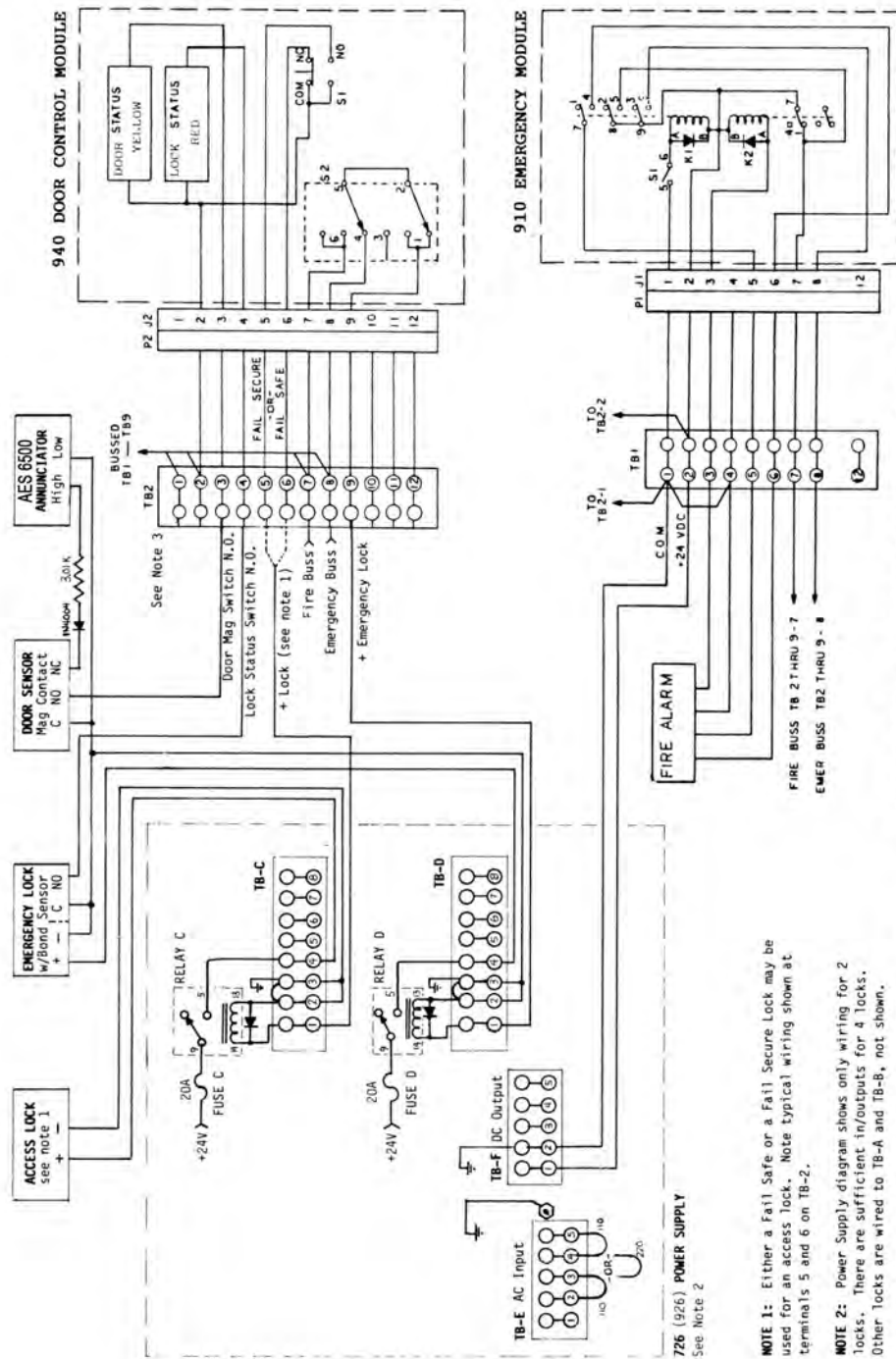
The manual emergency lock down will secure all locks in the usual manner even when released by this fire circuit.

A separate, isolated fire control input is available at the individual 945 module. This input affects only the door controlled by the 945 module. It is described under the heading: "Individual Fire Control Input", elsewhere in this document.



**Typical Wiring,
950-6 Door Controller, 726 Power Supply, One Door**





726 (926) POWER SUPPLY
See Note 2

NOTE 1: Either a Fail Safe or a Fail Secure Lock may be used for an access lock. Note typical wiring shown at terminals 5 and 6 on TB-2.

NOTE 2: Power Supply diagram shows only wiring for 2 locks. There are sufficient in/outputs for 4 locks. Other locks are wired to TB-A and TB-B, not shown.

NOTE 3: TB2 is corresponds to the 2nd position on the 900 rack. Wiring for TB3 to TB9 (positions 3 to 9) are wired in the same manner shown here.

Typical Wiring - AES 900 Series Door Controls

- AES 910 Emergency Lock Down Module
- AES 940 Door Control Module
- AES 726 Power Supply
- Electric Strike and Magnetic Lock
- AES 6500 Annunciator

 Ordering Information Summary

<u>Part No.</u>	<u>Description</u>
AES 726	24 V Power Supply (formerly 926) Does not include battery pack, see #726-HDB
AES 726-HDB	24 V Battery Pack, 7AH, for 726 Power Supply
AES 727	24 V Power Supply with 8 Relays
AES 727-HDB	24 V Battery Pack, 12AH, for 727 Power Supply
AES 727-RB	Relay Card, 4 Relays, for use with AES 780
AES 780	24 V Power Supply, Rack Mount, Order Relays Separately
AES 900	Rack Mount Cabinet & Buss, 8 slots
AES 905	Desktop Cabinet & Buss, 3 slots
AES 910	Emergency Lock Down Module
AES 920	Metal Detector Monitor (Discontinued)
AES 940	Door Control Module, 1 door w/2 locks
AES 941-M	ADA Door Control Module
AES 941-R	ADA Door Control Interface for LCN Opener
AES 941-R2	ADA Door Control Interface for 2 LCN Openers / Double Door (Requires 2 – 941-M controls, 1 for each door)
AES 941-PKG	ADA Door Control Pack, includes 1 each, 941-M and 941-R
AES 944	Fire Door Control Pack, includes 1 each, 944 and 945
AES 945	Fire Door Control Module
AES 946	Fire Door Display
AES 950-6	Mini Door Control Console

Accessories:

AES 930	Blank Plate, standard
AES 935	Blank Plate, large (for left position)
AES 946-MB	Masonry/Flush Back Box for 946**
AES 946-SB	Surface Mount Back Box for 946**

**Included in 944 package

AES CORPORATION**LIMITED PRODUCT WARRANTY AND TECHNOLOGY LICENSE****LIMITED PRODUCT WARRANTY:**

AES Corporation (“**AES**”) warrants to the original purchaser that each AES Product will be free from defects in material and workmanship for one (1) year from date of purchase. At no cost to the original purchaser for parts or labor, AES will repair or replace any AES Product or any, part or parts thereof which are judged defective under the terms of this Warranty.

Defective AES Products must be returned to AES directly, provided they are properly packed, postage prepaid. Or exchange may be made through any authorized direct factory representative for any AES Products that are judged defective under the terms of this Warranty. Improper or incorrectly performed maintenance or repair voids this Warranty. This Warranty does not cover replacement parts that are not approved by AES. This Warranty does not apply to any AES Product or any part thereof that has been altered in any way to affect its stability or reliability, or that has been subjected to abuse, misuse, negligence, accident or act of God, or that has had the serial number effaced or removed.

Certain AES Products are designed to operate and communicate with other specified AES Products and certain other specified products, systems or networks authorized or approved by AES, as identified in the applicable AES Product instructions. This Warranty does not apply to any AES Product that is used with any unauthorized or unapproved products, systems or networks, or that has been installed, applied or used in any manner, other than in strict accordance with AES instructions.

AES makes no warranty, express or implied, other than what is expressly stated in this Warranty. If the law of your state provides that an implied warranty of merchantability, or an implied warranty of fitness for particular purpose, or any other implied warranty, applies to AES, then any such implied warranty is limited to the duration of this Warranty.

AES cannot be aware of and is not responsible for the differing values of any property to be protected by its alarm reporting systems. This Warranty does not cover and AES shall not be liable for any defect, incidental or consequential, loss or damage arising out of the failure of any AES Product to operate.

Some states do not allow the exclusion or limitation of the durations of implied warranties or the limitation on incidental or consequential damages, so the above limitations or exclusions may not apply to you.

This Warranty gives you specific legal rights and you may also have other rights that vary from state to state.

TECHNOLOGY LICENSE:

Certain AES Products include software, protocols and other proprietary and confidential technology and trade secrets of AES, which are incorporated in or provided, with AES Products solely for use in conjunction with and in order to operate AES Products (“Licensed Technology”). AES grants the original purchaser a non-exclusive license to use such Licensed Technology solely in connection with the use and operation of AES Products and for no other purpose or use whatsoever. No title or ownership in or to any such Licensed Technology is conveyed by the sale or delivery of any AES Products; all such rights are retained by AES.

AES SERVICE PROCEDURE: Contact AES at (978) 535-7310, [fax (978) 535-7313] to receive a Return Authorization Number. Have the AES part number and serial number ready. Repack equipment in original or equivalent packaging. Inside the box, please include a contact name, telephone number, address and a brief description of the reason for return.

Ship authorized RA items freight-prepaid to:

(call for Return Authorization number)

Repair Services, RA# _____
AES Corporation
285 Newbury Street
Peabody, MA 01960 USA